



## SLIMLINE AXIAL FLOW FANS

### DECOR Series



DECOR-100

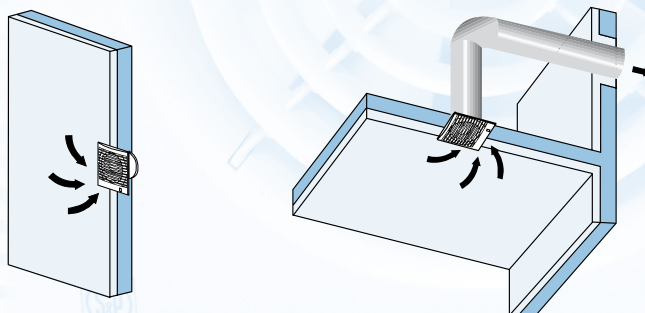


DECOR-200

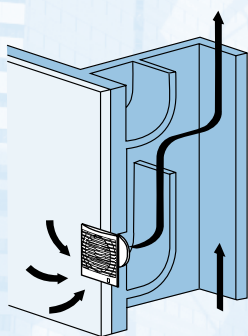


DECOR-300

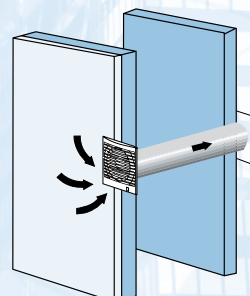
#### Installation examples



Ceiling or wall mounted with discharge directly to the outside or through duct system



Extract fan can be mounted in a shunt ventilation system



Extract ventilation through double walls by means of an accessory (DECOR-100)

**Slime line** axial flow fans for wall or ceiling installation, designed to remove odours and moisture in small rooms, toilets and bathrooms. The DECOR Series are easy to install, aesthetically pleasing, slimline and extremely quiet. The DECOR range consists of three different models: DECOR-100, DECOR-200 and DECOR-300, available with different integrated control options to accommodate all application requirements.

- C** Models fitted with back draft shutter.
- Z** Models including ball bearings greased for life.
- R** Model fitted with an adjustable Run-On-Timer keeping the fan in operation for the preset period of time after the fan has been switched off.
- H** Model with an adjustable humidistat.
- D** Model provided with a passive infra-red detector operating up to 4 m from the fan.



# BATHROOM EXTRACT FANS

## DECOR-100 Series



Range of axial extractors with airflow rates of approx. 100 m<sup>3</sup>/h, for connection to 100 mm diameter circular ducting.

All the fans are manufactured from injection moulded plastic, fitted with neon light indicator and single phase 230V-50Hz, class B motor equipped with overload thermal protection. The "Z" versions incorporate long life motors fitted with ball bearings. All the fans are class II insulation, IP44 rated and suitable to operate with air temperature up to 40°C.

### Back draft shutter



To prevent air entry and limit heat leakage when the extractor is not operating. It opens due to the pressure of the air.

### Models features

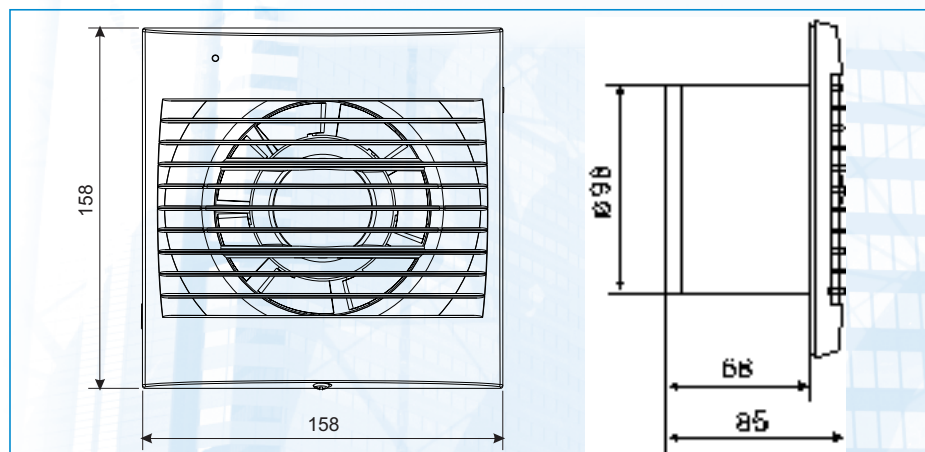
	C	CZ	CR	CRZ	CH	CHZ	CHZ VISUAL	CD	CDZ	12V C
Neon light indicator	•	•	•	•	•	•	•	•	•	•
Automatic back draft shutter	•	•	•	•	•	•	•	•	•	•
Adjustable Run-On-Timer			•	•	•	•	•	•	•	*
Adjustable humidistat					•	•	•			
PIR detector								•	•	
Ball bearings		•		•		•	•		•	

\* Using a CT-12/14 R transformer.

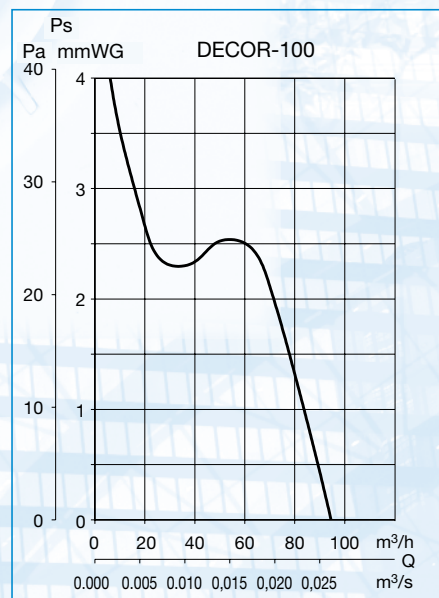
### Technical characteristics

Model	Speed (r.p.m.)	Maximum absorbed power (W)	Voltage (V) 50 Hz	Maximum airflow (m <sup>3</sup> /h)	Sound pressure level (dB(A))	Weight (kg)	IP
DECOR-100	2500	13	230	95	40	0,44	☐ IP44

### Dimensions (mm)



### Performance curve



Wall kit with fixed or automatic shutter

### Accessories



**GSA-100**  
Flexible aluminium ducting



**GRA-70**  
Aluminium exterior grille



**CX-80/125**  
Worm drive ducting clip

**PER-100W**  
Back draft shutter



**WINDOW KIT**







## DECOR-100 Models with special functions

DECOR-100 C 12V



Model SELV (Safety Extra Low Voltage). Specially designed to operate within the shower or bath volume with total safety. They are rated 12V, Class III and IP57.



DECOR-100 12V must be wired to a safety isolating **transformer CT-12/14** which must be located out of the reach of the water spray or person using a bath or shower. The transformer is IP21, class II insulation and protected by fuse. Also available, **Transformer CT12/14 R**, supplied with adjustable run-on-timer between 1 to 30 minutes.

### KITS DECOR-100 12V + CT

Kit integrated by an extractor DECOR-100 C 12 V and a safety isolating transformer CT.

Versions: KIT DECOR-100 C 12V + CT-12/14

KIT DECOR-100 C 12V + CT-12/14 R

DECOR-100 CD  
DECOR-100 CDZ



Model provided with a PIR (passive infra-red) detector. The unit starts automatically when a movement is detected within a maximum distance of 4 meters from the fan. They are also fitted with an adjustable "run on" timer, from 1 to 30 minutes, to allow the fan continues operating after the initiation of the movement detection.

DECOR-100 CHZ  
VISUAL



Models provided with an electronic humidistat which can be adjusted to 60, 70, 80 or 90% HR using a key situated on the front grille. Four luminous indicators show the desired level of humidity. The extractor operates automatically when the humidity level in the room is higher than the set level. The extractor will stop automatically when the humidity drops below the selected level and after the selected period set on the adjustable timer (1 and 30 minutes).



# BATHROOM EXTRACT FANS

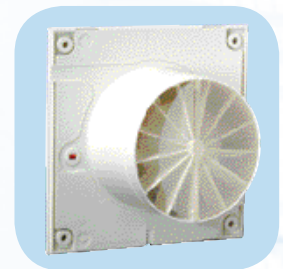
## DECOR-200 Series

Range of axial extractors with airflow rates of approx. 180 m<sup>3</sup>/h, for connection to 120 mm diameter circular ducting.

All the fans are manufactured from injection moulded plastic, fitted with neon light indicator and single phase 230V-50Hz, class B motor equipped with overload thermal protection. The "Z" versions incorporate long life motors fitted with ball bearings. All the fans are class II insulation, IP44 rated and suitable to operate with air temperature up to 40°C.



### Back draft shutter



To prevent air entry and limit heat leakage when the extractor is not operating. It opens due to the pressure of the air



Fans suitable to install in bathrooms between 8 and 15 m<sup>2</sup>

DECOR-200

Bathroom and toilet extract fans

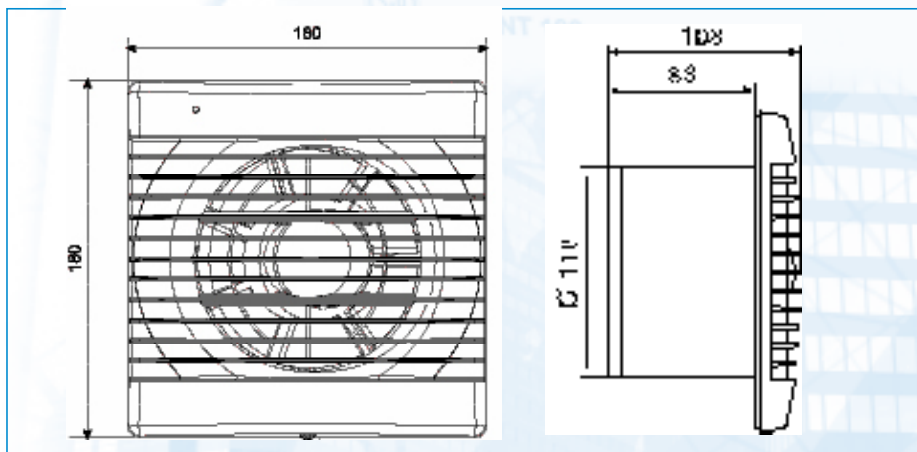
### Models features

	C	CZ	CR	CRZ	CH	CHZ
Neon light indicator	•	•	•	•	•	•
Automatic back draft shutter	•	•	•	•	•	•
Adjustable Run-On-Timer			•	•	•	•
Adjustable humidistat					•	•
Ball bearings		•		•		•

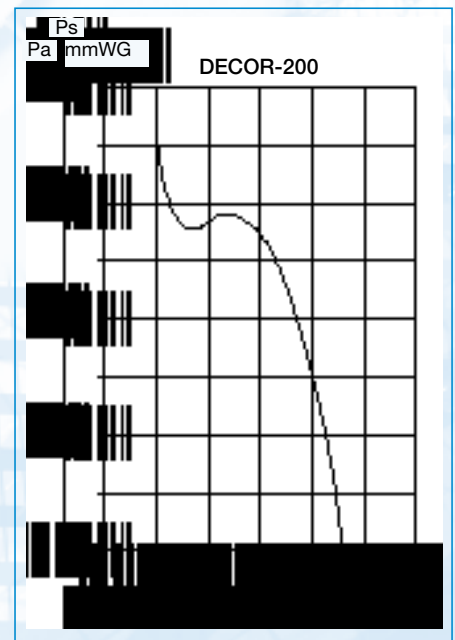
### Technical characteristics

Model	Speed (r.p.m.)	Maximum absorbed power (W)	Voltage (V) 50 Hz	Maximum airflow (m <sup>3</sup> /h)	Sound pressure level at 1,5 m (dB(A))	Ø duct (mm)	Weight (kg)	IP
DECOR-200	2500	20	230	185	45,5	120	0,8	□ IP44

### Dimensions (mm)



### Performance curve



### Accessories



**GSA-125**  
Flexible  
aluminium  
ducting



**GRA-150**  
Aluminium exterior  
grille



**PER-125W**  
Back draft  
shutter





## AXIAL EXTRACT FANS

# DECOR-300 Series



Range of axial extractors with airflow rates of approx. 280 m<sup>3</sup>/h, for connection to 150-160 mm diameter circular ducting.

All the fans are manufactured from injection moulded plastic and fitted with neon light indicator and single phase 230V-50Hz, class B motor equipped with overload thermal protection. The "Z" versions incorporate long life motors fitted with ball bearings. All the fans are class II insulation, IP44 rated and suitable to operate with air temperature up to 40°C.

### Back draft shutter



To prevent air entry and limit heat leakage when the extractor is not operating. It opens due to the pressure of the air

### Models features

	S	C	CZ	R	CR	CRZ	H	CH	CHZ
Neon light indicator	•	•	•	•	•	•	•	•	•
Automatic back draft shutter	•	•	•	•	•	•	•	•	•
Adjustable Run-On-Timer				•	•	•	•	•	•
Adjustable humidistat							•	•	•
Ball bearings			•			•			•

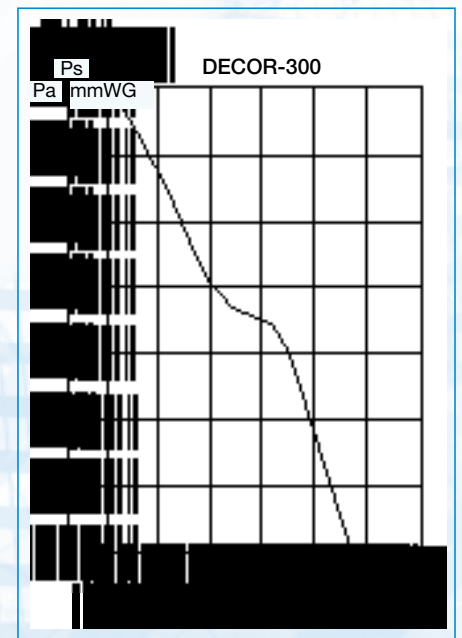


Fans suitable to install at places between 15 and 25 m<sup>2</sup>

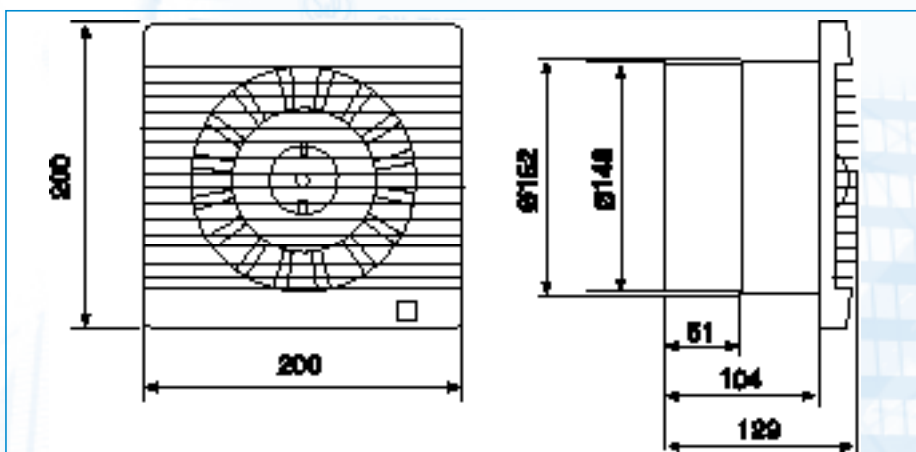
### Technical characteristics

Model	Speed (r.p.m.)	Maximum absorbed power (W)	Voltage (V) 50 Hz	Maximum airflow (m <sup>3</sup> /h)	Sound pressure level (dB(A))	Ø duct (mm)	Weight (kg)	IP
DECOR-300	2200	35	230	280	47	150	1,44	□ IP44

### Performance curve



### Dimensions (mm)



### Accessories



**GSA-150**  
Flexible aluminium ducting



**GRA-150**  
Aluminium exterior grille



**PER-160W**  
Back draft shutter



**REB**  
Single phase electronic speed controllers